

BALDOR • RELIANCE

Customer information packet

CFSWDL3504

.5HP, 1740RPM, 1PH, 60HZ, 56C, 3524L, TEFC, F1

Class - None

Division - Not Applicable

Specifications

Enclosure	TEFC
Frame	56C
Frame Material	Stainless Steel
Frequency	60.00 Hz
Motor Letter Type	Cap Start, Induction Run
Output @ Frequency	.500 HP @ 60 HZ
Phase	1
Synchronous Speed @ Frequency	1800 RPM @ 60 HZ
Voltage @ Frequency	230.0 V @ 60 HZ 115.0 V @ 60 HZ
XP Class and Group	None
XP Division	Not Applicable
Agency Approvals	CSA UR
Ambient Temperature	40 °C
Auxillary Box	No Auxillary Box
Auxillary Box Lead Termination	None
Base Indicator	Rigid
Bearing Grease Type	Polyrex EM (-20F +300F)
Blower	None
Current @ Voltage	7.000 A @ 115.0 V 3.500 A @ 230.0 V
Design Code	N
Drip Cover	No Drip Cover
Duty Rating	CONT
Efficiency @ 100% Load	70.0 %
Electrically Isolated Bearing	Not Electrically Isolated
Feedback Device	NO FEEDBACK
Front Face Code	Standard
Front Shaft Indicator	None
Heater Indicator	No Heater
High Voltage Full Load Amps	3.5 a

Part detail

Revision	E
Type	AC
Mech. spec.	35E4732
Base	
Status	PRD/A
Elec. spec.	35WGN797
Layout	35LYE4732
Eff. date	11-15-2022
CD Diagram	CD0648
Poles	04
Leads	7#18
Proprietary	False
Created date	07-24-2017

Insulation Class	F
Inverter Code	Not Inverter
KVA Code	M
Lifting Lugs	No Lifting Lugs
Locked Bearing Indicator	Locked Bearing
Motor Finish	UNPAINTED
Motor Lead Exit	Ko Box
Motor Lead Quantity/Wire Size	7 @ 18 AWG
Motor Lead Termination	Flying Leads
Motor Standards	NEMA
Motor Type	3524L
Mounting Arrangement	F1
Number of Poles	4
Overall Length	13.96 IN
Power Factor	68
Product Family	WD All SD Non-Encapsulated
Pulley End Bearing Type	Sealed Bearing
Pulley Face Code	C-Face
Pulley Shaft Indicator	Standard
Rodent Screen	None
RoHS Status	ROHS COMPLIANT
Service Factor	1.15
Shaft Diameter	0.625 IN
Shaft Extension Location	Pulley End
Shaft Ground Indicator	No Shaft Grounding
Shaft Rotation	Reversible
Shaft Slinger Indicator	No Slinger
Speed	1740 rpm
Speed Code	Single Speed
Starting Method	Direct on line
Thermal Device - Bearing	None
Thermal Device - Winding	None
Vibration Sensor Indicator	No Vibration Sensor
Winding Thermal 1	None

Winding Thermal 2

None

Nameplate**NP1951A13**

CAT.NO.	CFSWDL3504						
SPEC.	35E4732N797G1						
HP	.5						
VOLTS	115/230						
AMP	7/3.5						
RPM	1740						
FRAME	56C		HZ	60		PH	1
SER.F.	1.15	CODE	M	DES	N	CLASS	F
NEMA-NOM-EFF	70	PF	68				
RATING	40C AMB-CONT						
CC		USABLE AT 208V	N/A				
DE	6205	ODE	6205				
ENCL	TEFC	SN					

AC Induction Motor Performance Data

Record # 83630

Typical performance - not guaranteed values

Winding: 35WGN797-R001		Type: 3524L	Enclosure: TEFC	
Nameplate Data			115 V, 60 Hz: Low Voltage Connection	
Rated Output (HP)	.5	Full Load Torque	1.5 LB-FT	
Volts	115/230	Start Configuration	direct on line	
Full Load Amps	7/3.5	Breakdown Torque	4.67 LB-FT	
R.P.M.	1740	Pull-up Torque	5.88 LB-FT	
Hz	60	Locked-rotor Torque	6.33 LB-FT	
NEMA Design Code	N	Starting Current	40.9 A	
Service Factor (S.F.)	1.15	No-load Current	4.41 A	
NEMA Nom. Eff.	70	Line-line Res. @ 25°C	1.11 Ω A Ph 3.22 Ω B Ph	
Rating - Duty	40C AMB-CONT	Temp. Rise @ Rated Load		
		Locked-rotor Power Factor	93.4	
		Rotor inertia	0.142 lb-ft ²	

Load Characteristics 115 V, 60 Hz, 0.5 HP

% of Rated Load	25	50	75	100	125	150	S.F.
Power Factor	35	50	62	70	76	81	74
Efficiency	51.2	66	72.2	74.9	75.7	75.5	75.4
Speed	1787	1777	1767	1756	1744	1731	1749
Line amperes	4.58	4.94	5.47	6.17	7	7.99	6.67

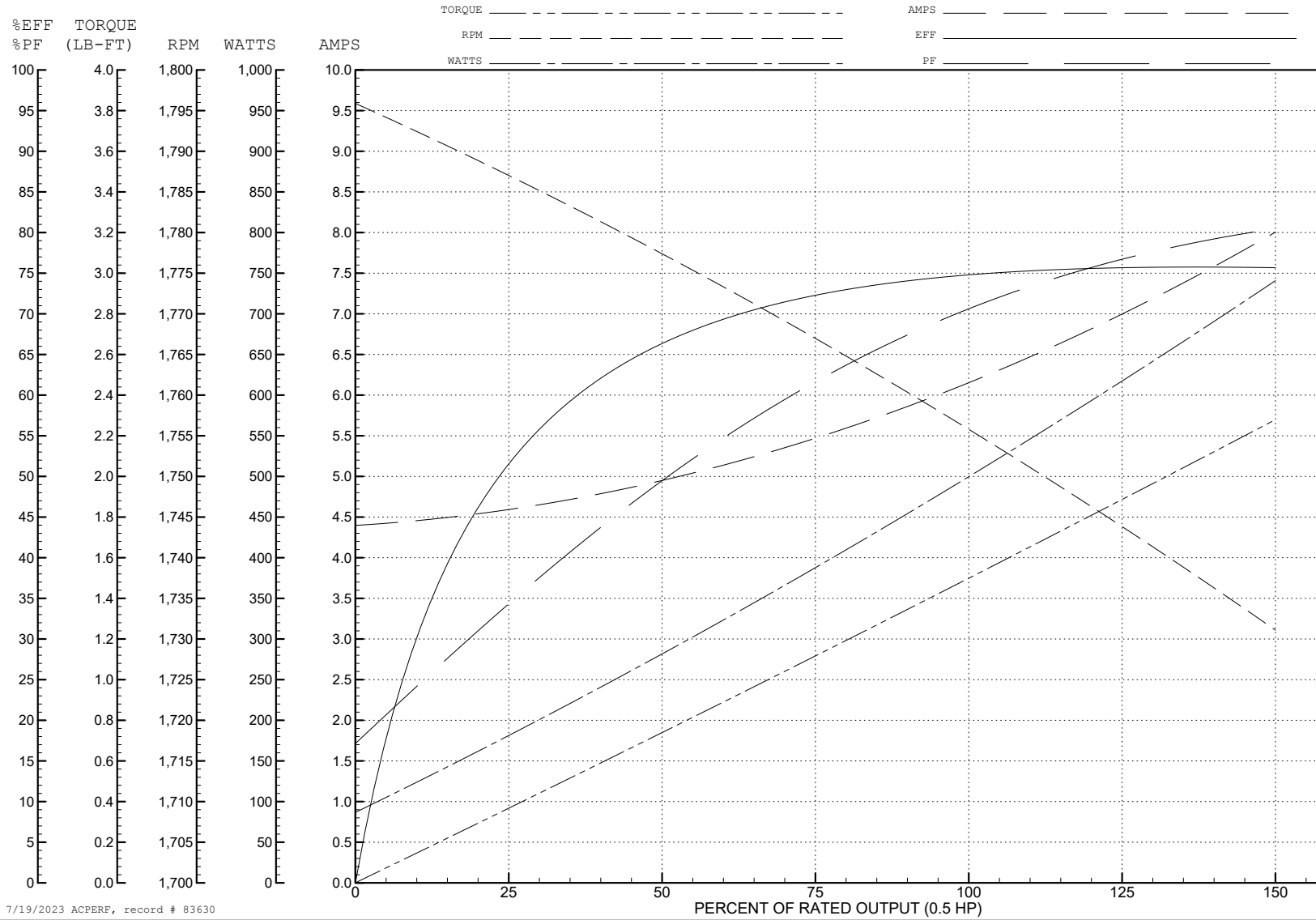
ABB Motors and Mechanical Inc.

WINDING # 35WGN797

Typical performance - not guaranteed values.

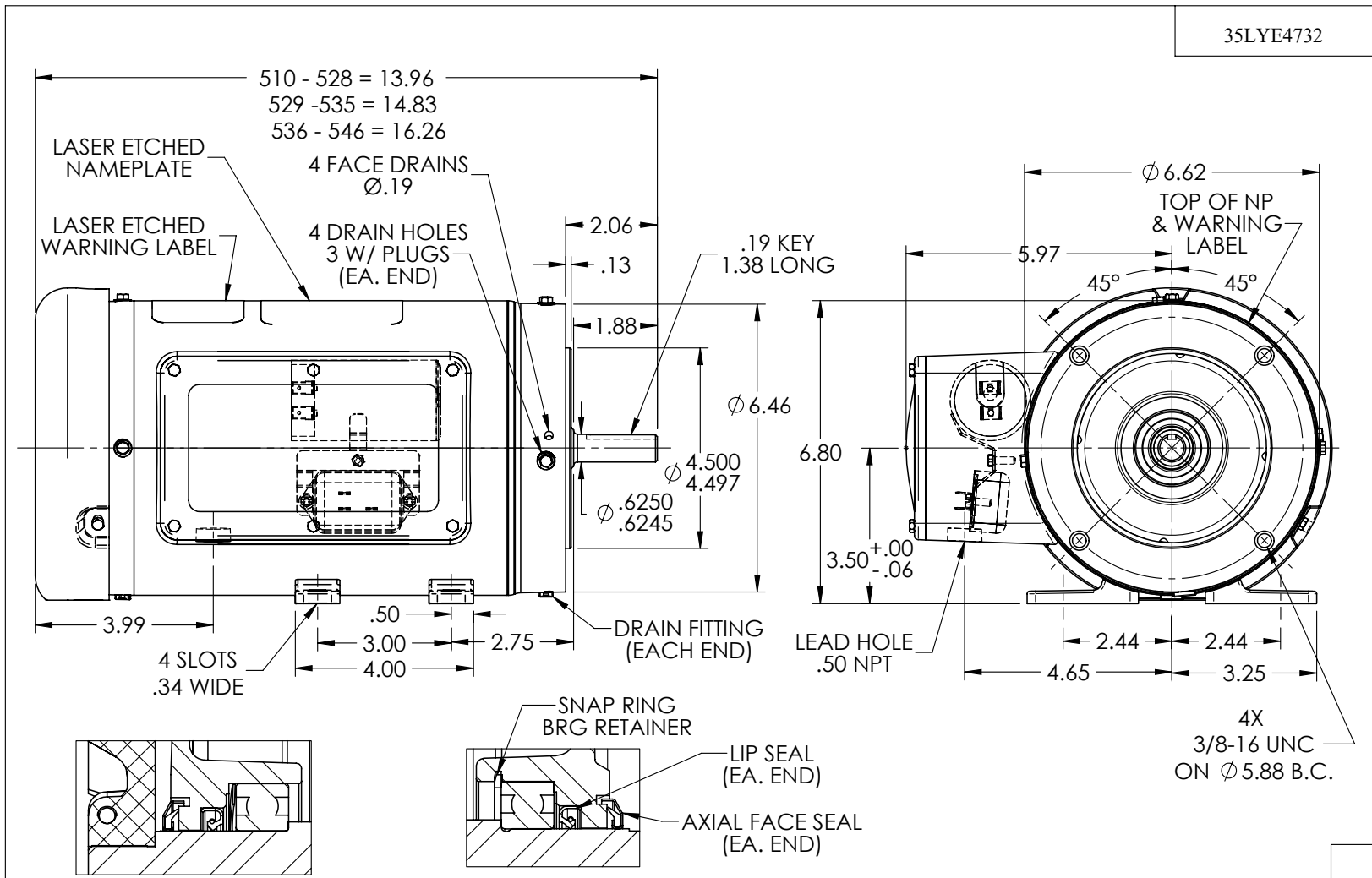
0.5 HP 1 PH 60 HZ 1740 RPM 115 V 3524L

TORQUES (LB-FT): PO=4.67 PU=5.88 LR=6.33 LRA=40.9



7/19/2023 ACPERF, record # 83630

35LYE4732



FRONT END DETAIL

PULLEY END DETAIL

CUSTOMER IS RESPONSIBLE FOR DETERMINING THAT BALDOR'S PRODUCT WILL PERFORM SUITABLY IN THE INTENDED APPLICATION

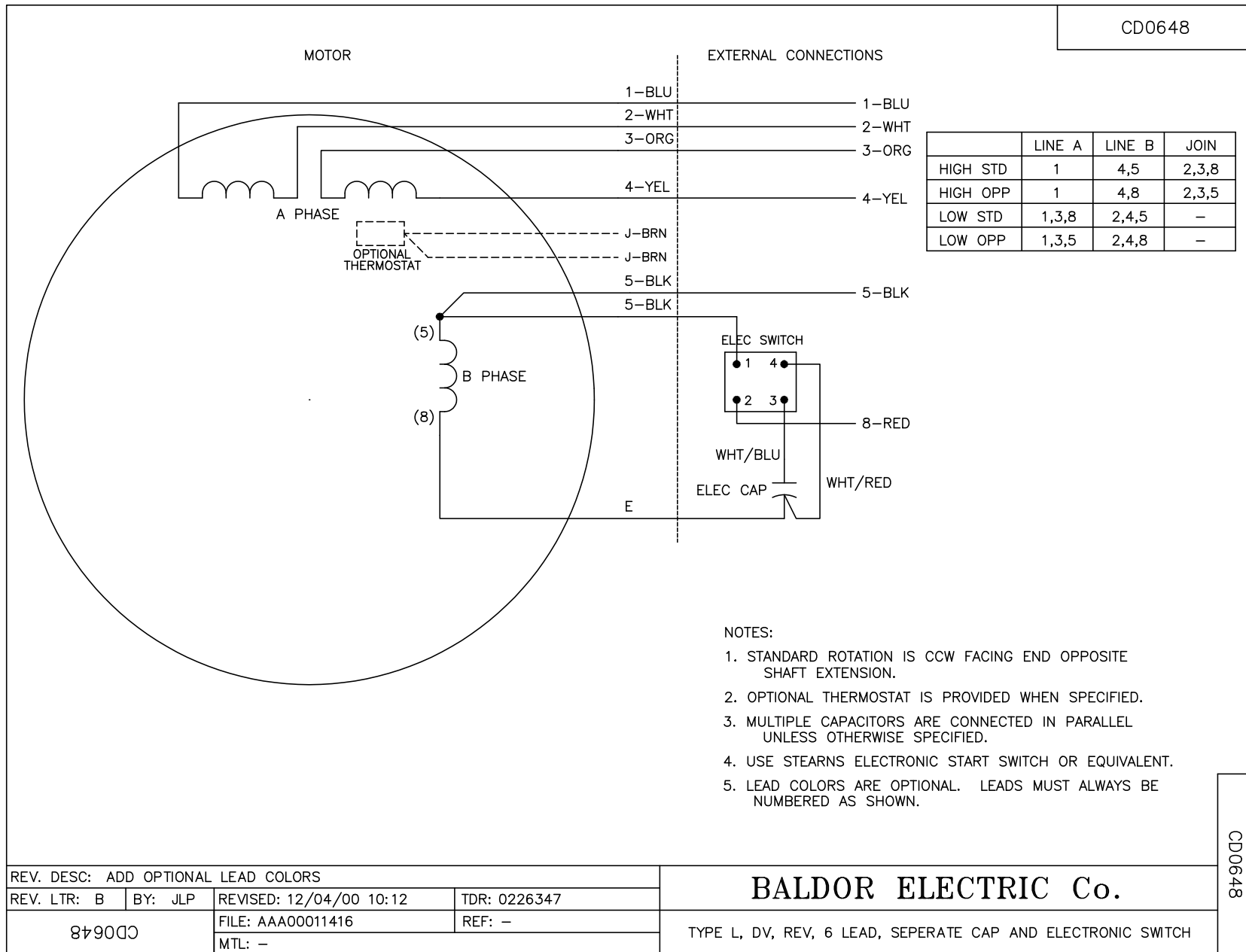
REV. DESC: NEW			
REV: -	VERSION: 00	REVISED: 03:46:49 07/17/2017	TDR: 000001000867
MODEL NO. 35LYE4732		REF: -	
BY: ENANGG0			

BALDOR

STD HORZ 56C TEFC 35L WD11/12

35LYE4732

CD0648



NOTES:

1. STANDARD ROTATION IS CCW FACING END OPPOSITE SHAFT EXTENSION.
2. OPTIONAL THERMOSTAT IS PROVIDED WHEN SPECIFIED.
3. MULTIPLE CAPACITORS ARE CONNECTED IN PARALLEL UNLESS OTHERWISE SPECIFIED.
4. USE STEARNS ELECTRONIC START SWITCH OR EQUIVALENT.
5. LEAD COLORS ARE OPTIONAL. LEADS MUST ALWAYS BE NUMBERED AS SHOWN.

CD0648

REV. DESC: ADD OPTIONAL LEAD COLORS			
REV. LTR: B	BY: JLP	REVISED: 12/04/00 10:12	TDR: 0226347
879000		FILE: AAA00011416	REF: -
		MTL: -	

BALDOR ELECTRIC Co.

TYPE L, DV, REV, 6 LEAD, SEPERATE CAP AND ELECTRONIC SWITCH